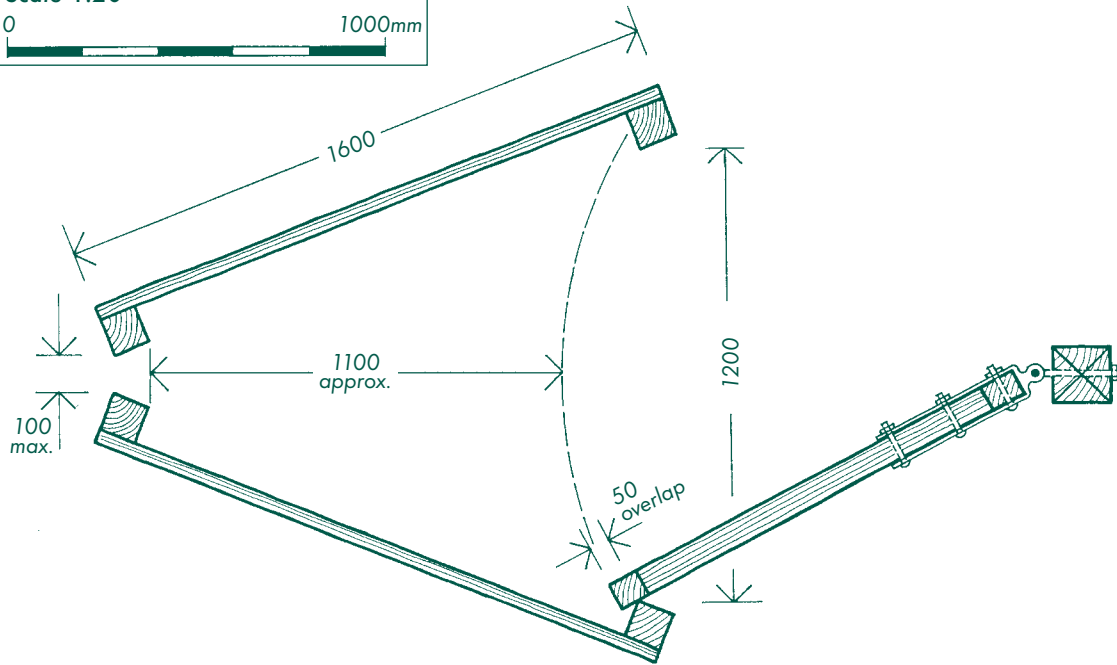
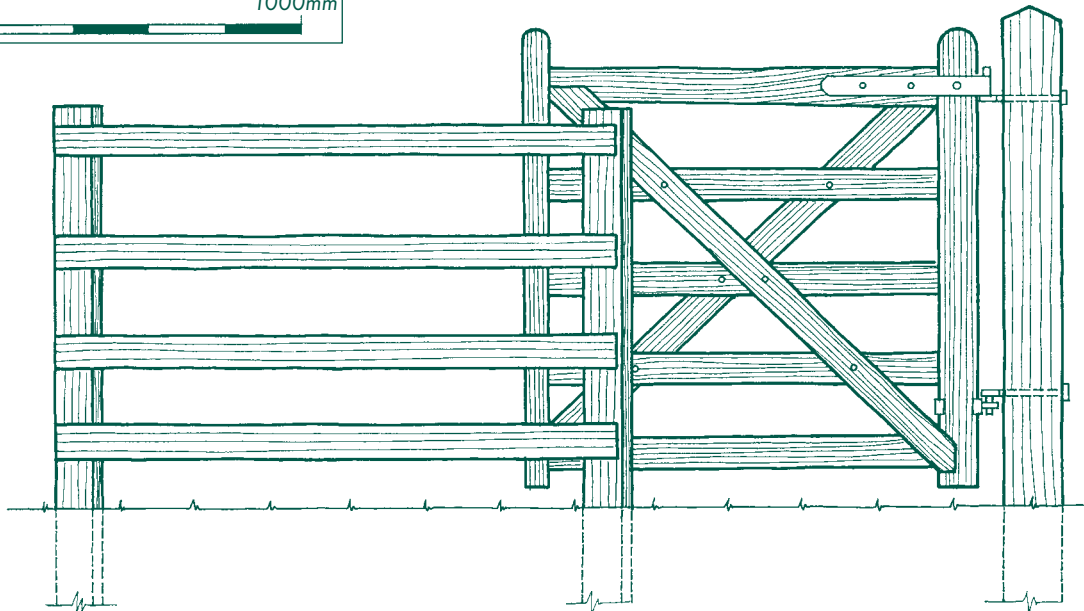




**2.8A Plan**  
Scale 1:20  
0 1000mm



**2.8B Side Elevation**  
Scale 1:20  
0 1000mm



Conforms to BS 5709	Stockproof	Ease of use for Pedestrians	Accessible to Motorised Wheelchair Users	Accessible to Manual Wheelchair and Pushchair Users	Accessible to Horseriders	Accessible to Pedal Cyclists	Accessible to Motorcyclists
✗	✓	☹️	✗	✗	✗	✗	✗



### • Notes

A basic V-shaped design of timber kissing gate that, by virtue of its dimensions, will only accommodate pedestrians, and possibly some types of single pushchairs. It will not be accessible to double pushchairs and people in wheelchairs, and may also be unsuitable for people with disabilities or mobility difficulties. Care should therefore be taken with respect to the locations in which this type of kissing gate is installed.

Self-closing hinges should be fitted to ensure that the gate is stockproof.

A cyclist may with some difficulty be able to gain access by tipping a cycle onto its back wheel.

The depth of the enclosure when the gate is in mid-position is relatively tight: this design is therefore also not suitable for routes where walkers will be carrying large rucksacks.

The restricted dimensions of this design mean that it does not conform to BS5709.

The design presented overleaf has four rows of rails on the enclosure to ensure that it is stockproof. If lambs are present, five rows of rails may be required.

### • Construction and Installation Details

Gate Hanging Post : 1 no. 2440 x 150 x 150; installed to a top height of 1325 above ground level (see Information Sheet 2.4).

Gate : Standard 1200 wide timber wicket gate as per Information Sheet 2.4.

Kissing Enclosure Posts : 4 no. 1800 x 100 x 100; installed to a height of 1070 above ground level.

Enclosure Rails : 4 no. rows of 1600 x 88 x 38 rails on each side; top height of 1015 above ground level; spacing as per standard four rail fence (see Information Sheet 5.8).

Self-closing Hinges : Top - 450 double strap band with normal eye.  
Bottom - 127 double strap band with eye on corner.

### • Design Source and Contacts for Further Information

**Supplier:** Self-closing hinges (with fitting instructions) available from Centrewire Ltd., PO Box 11, Wymondham, Norfolk. NR18 0XD. Tel 01491 614490 Fax 01953 605637.

### • User Notes : Design Modifications and Reference Information

